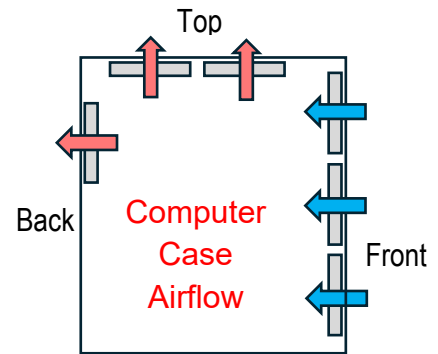


RGB Fan Installation

1. Using the screws provided secure RGB Fans to the computer case in an arrangement that allows proper airflow as in the diagram to the right. The direction of fan airflow is from the side of the fan without bracing to the side with bracing.



2. Connect the RGB Fans to the RGB Fan Controller (shown to the right) in any of the ports labeled Fan1 through Fan10.



RGB Fan Controller

3. Connect the smaller end of the RGB Fan Controller Power Cable (circled to the right) to the port labeled "Power" on the controller. Connect the larger end of the RGB Fan Controller Power Cable to a Molex connector from your Power Supply Unit.



RGB Fan Controller Power Cable

4. Connect the LED switch line from your computer case (or any unused switch line from your case, for example the Restart switch) to the RGB Fan Controller's "LED SW" port. You can cycle through the various fan color and pattern options using the case switch. Alternatively, use the Fan Controller Remote (if included) to select fan lighting colors and patterns. Remove the protective plastic slip from the Remote's battery prior to using the Remote.



RGB Fan Controller